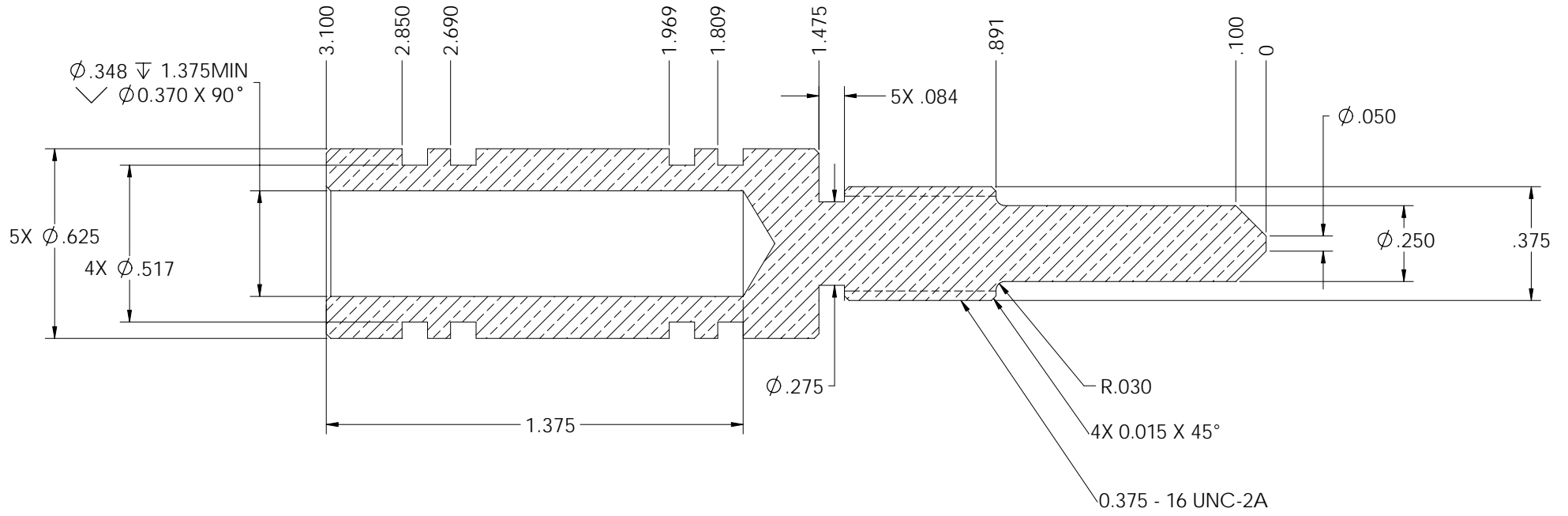
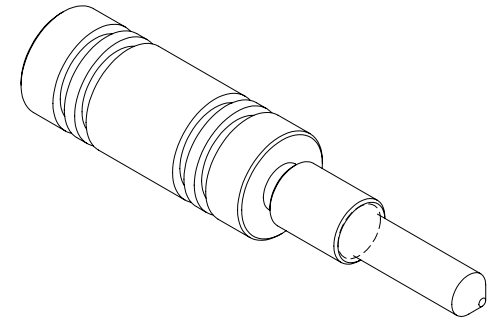


NOTES, UNLESS OTHERWISE SPECIFIED

1. THREADS PER ANSI B1.1.
2. MATERIAL: 360 BRASS ROD
3. STOCK SIZE: .75 DIA X 4.75



ALL DIMENSIONS ARE IN INCHES- INTERPRET DRAWING PER ASME Y14.5 -1994		APPROVED	DATE	Franklin W. Olin College of Engineering				
TOLERANCES UNLESS OTHERWISE SPECIFIED:		PREP BY	D. ANDERSON	PROJECT 6A WIDGET POST				
X.X ± .03	$\angle \pm .5^\circ$	CHECKED						
X.XX ± .01		RESP ENG	D. ANDERSON					
X.XXX ± .005	$\nabla 125$	MFG ENG						
REMOVE ALL BURRS AND SHARP EDGES .015 R OR CHAMFER MAX		QUAL ENG		SIZE	FSCM NO.	PART NO.	PART REV	DOC REV
		◆ = (CRITICAL DIMENSION)		C		1000-06A		
				SCALE	4:1	WT	0.1328	SHEET 1 OF 1